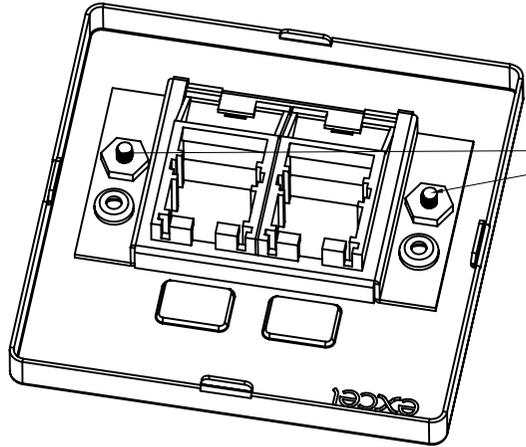
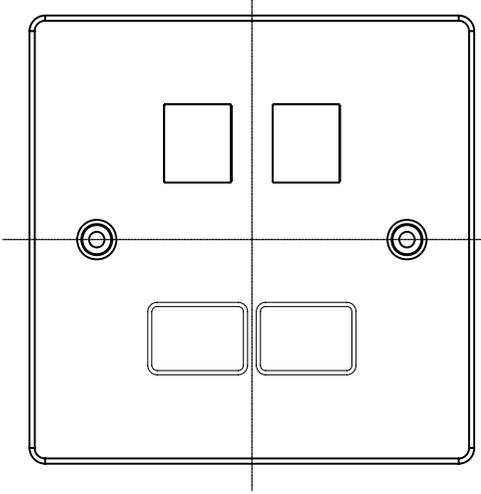
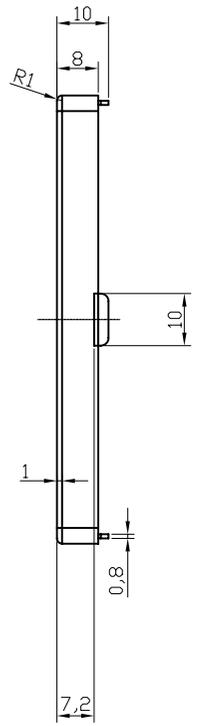
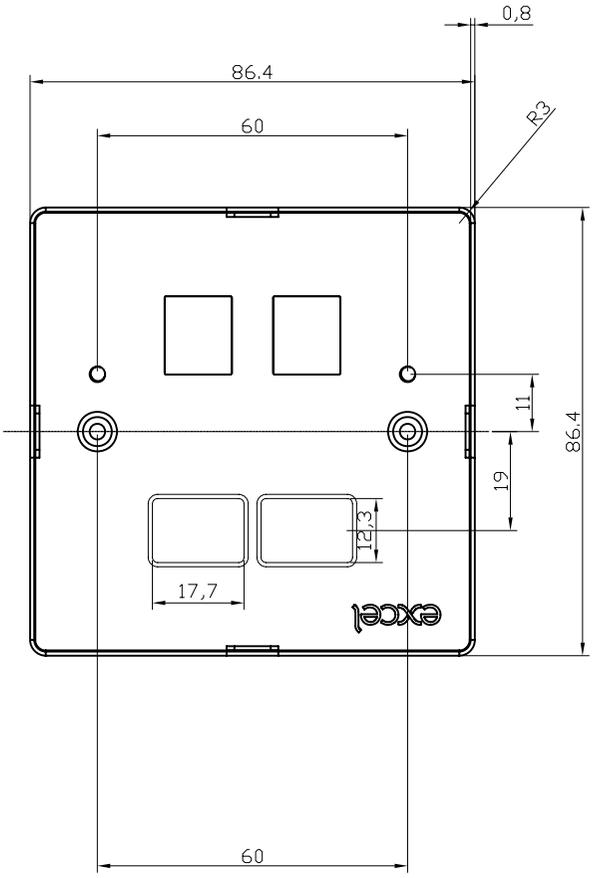
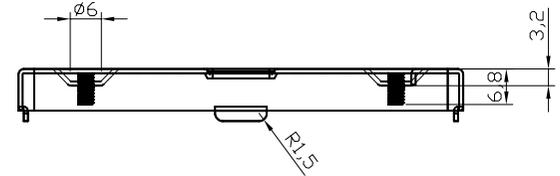


FIRST USE

REV	ECO NO.	DESCRIPTION



welding M3 screw bolt ,  
nice look from outside



Brushed chrome

RoHS Compliant

CUSTOMER

- Specification:
1. Material : stainless steel
  2. Finishing: brushed chrome
  3. RoHS Compliant.

MATERIAL		stainless steel		PART NO.			
FINISH		Brushed chrome		CUSTOMER P/N			
.X	±0.2	.XX	±0.10	UNITS	mm <th colspan="2"> </th>		
.XXX	±0.050	ANG	±0.5° <th colspan="2"> </th> <th colspan="2"> </th>				
DRAW							
CHKD				PHASE	REV	MASS	SCALE
STAD				S	0		
APPD				SHEET 1 OF 1			

